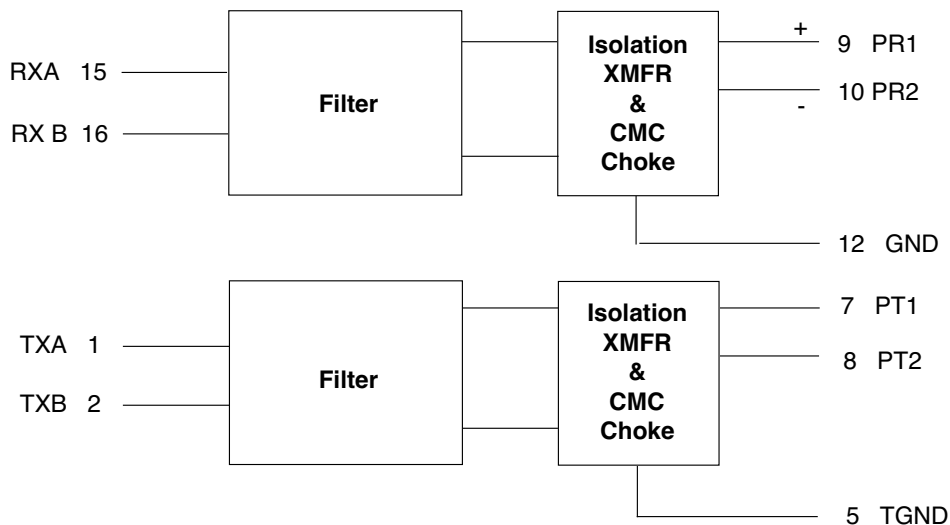


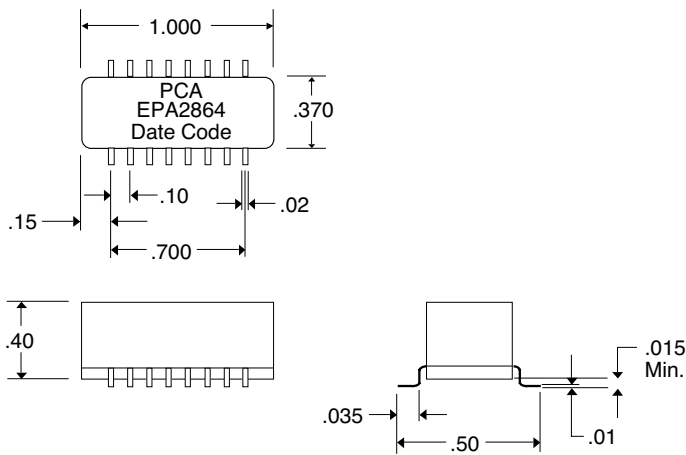
25 Mbps ATM Transmit and Receive, UTP Interface

PCA Part Number(s)		EPA2864			
Electrical Specifications @ 25°C					
Parameter	Frequency	Specification	XMIT	RCV	Unit
Impedance	----	100			Ω
Insertion Loss	0-28 MHz	-0.8			dB Max.
	32 MHz	-7.0			dB Min.
	44 MHz	-30.0			dB Min.
	48 MHz	-38.0			dB Min.
Return Loss	1-17 MHz	-14.0			dB Min.
	25 MHz	-8.0			dB Min.
Isolation	-----	500			Volts
Common Mode Rejection	1-64 MHz	-50.0			dB Min.
Notes :					

Schematic



Surface Mount Package : .1" Pitch



Pin Descriptions for EPA2864

Pin #'s	Symbol	Function / Description
1	TXA	Unipolar Transmit Output Data From Driver IC.
2	TXB	Unipolar Transmit Output Data From Driver IC.
5	TGND	Common return path, transmit side.
7	PT1	Balanced bipolar signal for media connection. (-)
8	PT2	Balanced bipolar signal for media connection. (+)
9	PR1	1/2 of Balanced & Isolated receiver data to the I.C. (+)
10	PR2	1/2 of Balanced & Isolated receiver data to the I.C. (-)
12	AGND	Common return path, receive side.
15	RXA	Balanced bipolar received data from media connector. (+)
16	RXB	Balanced bipolar received data from media connector. (-)

Applications for EPA2864

